

CM-BASE α



Continuous measurement with a compact size of Φ 90mm. Ideal for monitoring concentration of samples such as water soluble cutting oil.

A compact in-line model with simple specifications, capable of continuous measurement of samples such as water-soluble cutting oil. Capable of monitoring concentration and mixing ratio. Output is possible with recorder (DC4-20mA) or RS-232C.

Specifications

In-line Brix-Monitor CM-BASE α

Cat.No.	① CM-BASE α (A) 3603 ② CM-BASE α (D) 3604
Measurement items	Brix (temperature compensation according to sucrose)
Measurement range	0.0 to 33.0%
Resolution	0.1%
Measurement accuracy	$\pm 0.5\%$
Temperature compensation range	10 to 50°C
Display system	LCD
Output method	① CM-BASE α (A) recorder output (DC4-20mA) ② CM-BASE α (D) RS-232C output
Power supply	DC24V
Cable	① CM-BASE α (A) power/analog output cable: standard length: 2m (Can be extended up to a maximum of 100m.) ② CM-BASE α (D) power/RS-232C output cable: standard length: 2m (Can be extended up to a maximum of 15m.)
Materials in contact with the solution	Prism: Sapphire, Prism stage: SUS316L
Pressure resistance	0.98MPa
Ambient temperature	5 to 40°C
International protection class	IP64 Water resistant
Dimensions and weight	9 \times 9 \times 5.8cm, 820g (Main Unit only)

Simple and easy to use

Once the unit is powered on (DC24V), the display light turns on, and the unit begins measurement. A red light indicates when abnormal measurements occur.



Equipped with bias adjustment feature

By pressing and holding the ZERO key, the ± 2.0 measurement value range can be adjusted.

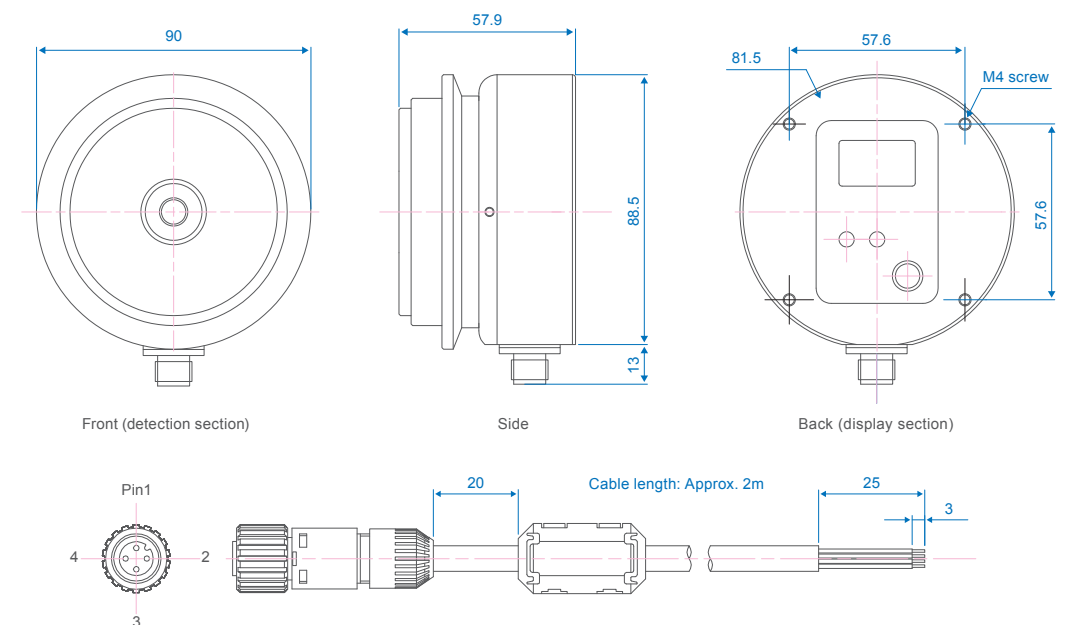


2 types of models are available, depending on the output method.

2 models: 1. The CM-BASE α (A) which outputs Brix values via DC4-20mA signals, and 2. The CM-BASE α (D) which outputs Brix values and temperature via RS-232C.



Dimensions (unit of length: mm)



CM-BASE α (A)

Brix values are output via DC4-20mA signals. Brix values ranging from -2.0 to 33.5% are communicated as DC ranging from 4 to 20mA, respectively. The cable can be extended to a custom length of up to 100m.

Connector pin number	Cord color	Signal
1	Red ●	DC24V input
4	Red / White ●○	DC4 to 20mA output
3	Black ●	GND (DC24V)
2	Black / White ●○	GND (DC4 to 20mA)

CM-BASE α (D)

Brix values are output via RS-232C. The cable can be extended to a custom length of up to 15m.

Communications parameters	Baud rate: 2400bps Data length: 7bit	Parity: Even Stop bit: 1bit
Transmit data	Brix, temperature	Brix 19.5% Temp. 20.3°C

Connector pin number	Cord color	Signal
1	Red ●	DC24V input
4	Red / White ●○	RS-232C output
3	Black ●	GND (DC24V)
2	Black / White ●○	GND (RS-232C)