

Introduction

Thank you for purchasing this HIOKI "9262 TEST FIXTURE." To get the maximum performance from the unit, please read this manual first, and keep this at hand.

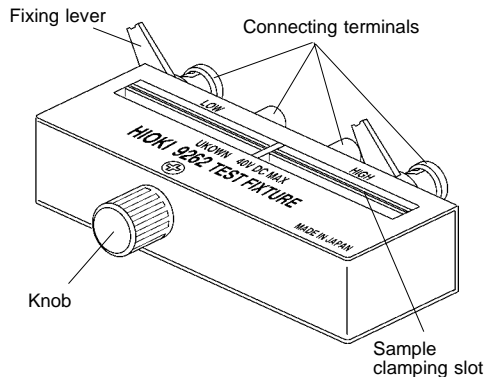
Safety

This Instruction Manual provides information and notes essential for operating this equipment in a safe manner and for maintaining it in safe operating condition. Before using this equipment, be sure to carefully read the following safety notes.

CAUTION	Indicates that incorrect operation presents possibility of injury to the user or damage to the equipment.
NOTE	Denotes items of advice related to performance of the equipment or to its correct operation.

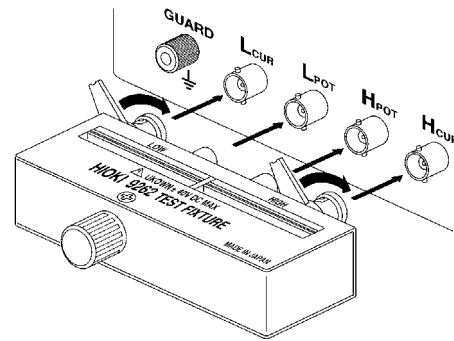
1. Overview

This HIOKI 9262 TEST FIXTURE can be directly connected to the measurement terminals (UNKNOWN) of the 3502, 3520, or 3531 for testing a lead component. The component can be clamped with a single knob action.



2. Connecting the Test Fixture

Plug the fixture into the measurement terminals (UNKNOWN) of the tester, with the product name up. Fasten it in place with the left and right fixing levers.

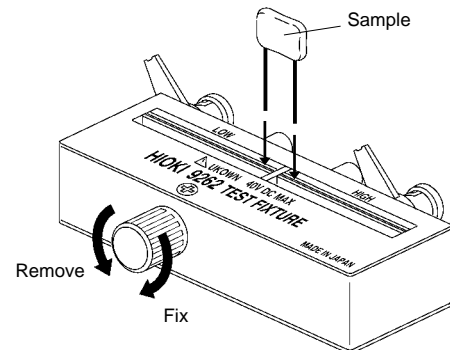


3. Fixing the Samples

Insert the sample (from above) into the clamping slot, and clamp it by turning the knob.

NOTE

- Samples whose leads differ in diameter by more than 0.4 mm cannot be clamped.
- Be careful to keep dirt away from the clamping slot.
- Make sure the sample is firmly clamped. If not, accurate measurements cannot be obtained.



4. Open and Short Circuit Compensation

To enhance the accuracy of measurement, perform the open and short circuit compensation.

NOTE

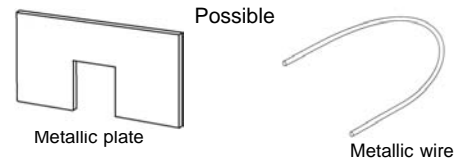
The method of operation depends on the tester to which the test fixture is connected. Refer to the Instruction Manual for the tester.

• Open circuit compensation

Put the test fixture in the open-circuit state, with no connection between the two ends of the clamping slot.

• Short circuit compensation

1. Use a shorting bar whose impedance is as low as possible. If you use a metallic wire or the like as a shorting bar, try to ensure that it is as thick and short as possible.

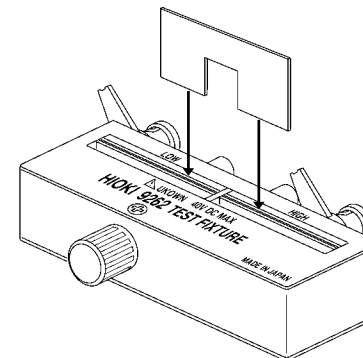


Not possible



2. Insert the shorting bar and clamp it, to short the high and low test connections.

In order to keep external influences as low as possible, be sure to thrust the shorting bar in all the way.



5. Specifications

Compatible instrument	3502, 3520, 3531
Measurement frequency range	42 Hz to 5 MHz
Maximum apply voltage	40 V DC
Sample lead dimensions	diameter 2 mm max.; separation at least 5 mm
Residual resistance (short-circuited)	5 m max. (at 100 Hz)
Floating capacitance between terminals	2 pF max. (at 5 MHz)
Dimensions	96(W) x 26(H) x 33(D) mm (excluding protrusions)
Mass	180 g

6. Notes on Using the Test Fixture

- Be careful to avoid dropping the unit or subjecting to other mechanical shock.
- Do not use the unit in direct sunlight, dusty conditions, or in the presence of corrosive gases.
- If the unit has gotten seriously wet, oily, or dusty, stop using it and send it for service at an approved HIOKI service facility.
- For using the tester to which the test fixture is connected, refer to Instruction Manual of the tester.

CAUTION

For applying a DC voltage, refer to the Instruction Manual of the tester

HIOKI E.E. CORPORATION

HEAD OFFICE

81 Koizumi, Ueda, Nagano 386-11, Japan

FAX. 0268-28-0568 TEL. 0268-28-0562

E-mail: hioki-os@sinsyu.or.jp