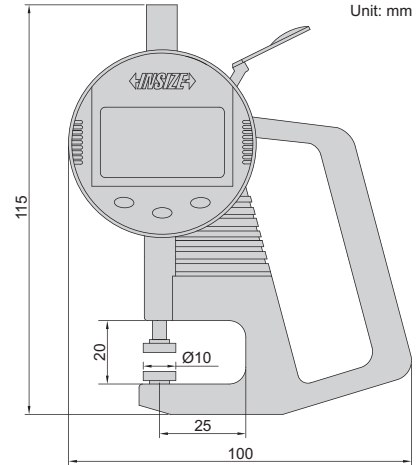


## DIGITAL THICKNESS GAGE



2867-10

- Ceramic spindle tip and anvil
- CR2032 battery



Code	Range	Resolution	Accuracy
2867-10	0-10mm/0.4"	0.01mm/0.0005"	±0.02mm