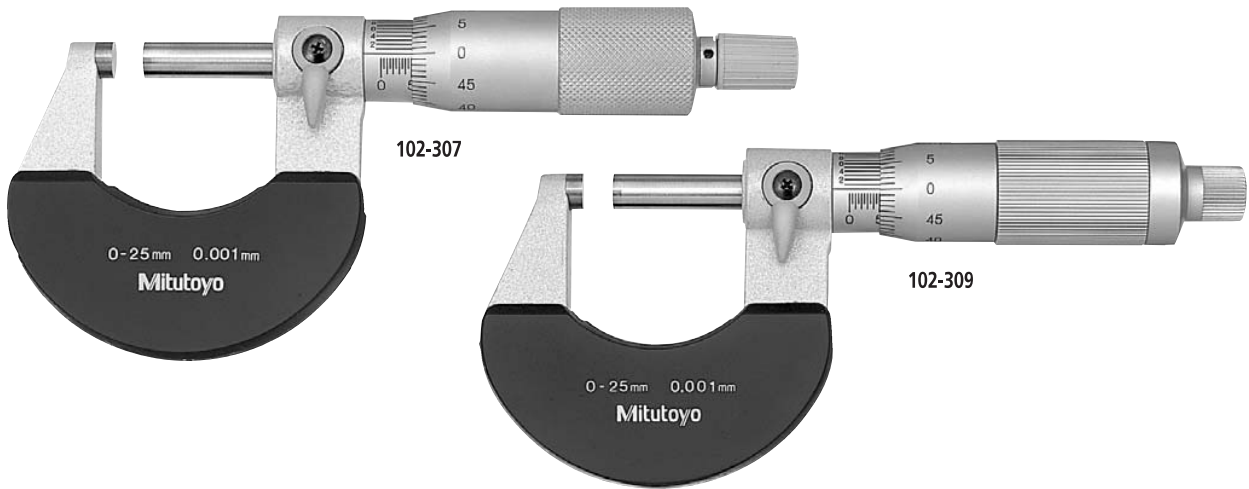


Outside Micrometers

SERIES 102



MICROMETERS

FEATURES

- Heat-insulated frame, tapered (on the anvil side) for hard-to-reach places.
- Carbide-tipped measuring faces.
- Provided with a standard except for 25mm (1") model.

Measuring faces

- Flatness:
 - 0.6 μ m (.000024") for models of 0.01mm (.001") reading
 - 0.3 μ m (.000012") for models of 0.001mm (.0001") reading
- Parallelism:
 - 1 μ m (.00004") for 25mm (1") model
 - 2 μ m (.00008") for models up to 100mm (4")

SPECIFICATIONS

Metric With ratchet stop			
Range	Order No.	Graduation	Accuracy
0 - 25mm	102-301	0.01mm	$\pm 2\mu$ m
	102-307	0.001mm	$\pm 2\mu$ m
25 - 50mm	102-302	0.01mm	$\pm 2\mu$ m
	102-308	0.001mm	$\pm 2\mu$ m
50 - 75mm	102-303	0.01mm	$\pm 2\mu$ m
75 - 100mm	102-304	0.01mm	$\pm 3\mu$ m

Metric Micrometer set		
Range	Order No.	Assortment of micrometers
0 - 100mm (4 mikes/set)	102-911	<ul style="list-style-type: none"> • 102-301 • 102-302 • 102-303 • 102-304
		• 3 micrometer standards

Inch With ratchet stop			
Range	Order No.	Graduation	Accuracy
0 - 1"	102-321	.001"	$\pm .0001$ "
	102-327	.0001"	$\pm .0001$ "
1" - 2"	102-322	.001"	$\pm .0001$ "
	102-328	.0001"	$\pm .0001$ "
2" - 3"	102-323	.001"	$\pm .0001$ "
3" - 4"	102-324	.001"	$\pm .00015$ "

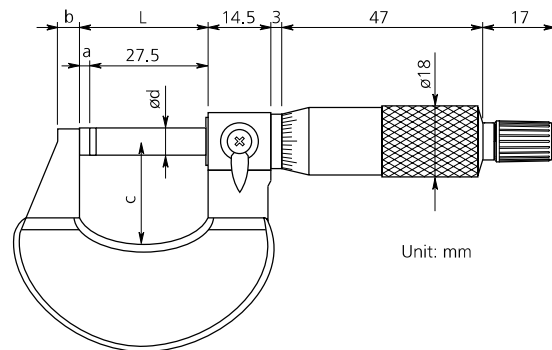
Note: 0.001mm (.0001") reading is obtained with vernier.

Metric With ratchet thimble			
Range	Order No.	Graduation	Accuracy
0 - 25mm	102-305	0.01mm	$\pm 2\mu$ m
	102-309	0.001mm	$\pm 2\mu$ m
25 - 50mm	102-306	0.01mm	$\pm 2\mu$ m

Inch With ratchet thimble			
Range	Order No.	Graduation	Accuracy
0 - 1"	102-325	.001"	$\pm .0001$ "
	102-329	.0001"	$\pm .0001$ "
1" - 2"	102-326	.001"	$\pm .0001$ "
	102-330	.0001"	$\pm .0001$ "

Note: 0.001mm (.0001") reading is obtained with vernier.

Dimensions



Range	L	a	b	c	d
0 - 25mm	30.3	2.8	5	26	6.35
25 - 50mm	55.3	2.8	8	32	6.35
50 - 75mm	80.3	2.8	9	45	6.35
75 - 100mm	105.3	2.8	10	58	6.35

Note: The shape of the thimble changes on the model with ratchet thimble.