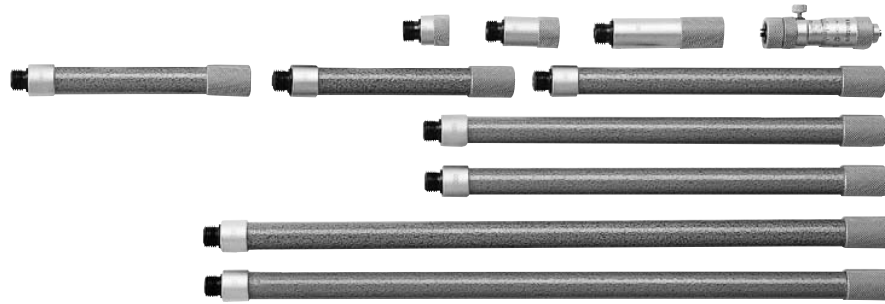


Tubular Inside Micrometers

SERIES 137 — Extension Rod Type, Up to 1500mm / SERIES 139 — Extension Pipe Type, Up to 2100mm / SERIES 140 — Extension Pipe Type, Up to 5000mm



137-105

Extension rod type



Extension pip type

139-177

INSIDE MICROMETERS

FEATURES

- Wide range of ID measurements by combining extension rods (pipes) and anvils with the micrometer head.
- Carbide-tipped measuring faces. (Economy models which have not carbide tips are also available on the 137 series.)
- The 139 series uses highly-durable extension pipes.
- The 140 series uses large-diameter extension pipes.

SPECIFICATIONS

Accuracy

- Series 137, 139:
 $\pm(3+n+L/50)\mu\text{m} [\pm(.00015+.00005n+.00005 (L/2))"]^*$
 - Series 140:
 $\pm(7+n+L/50)\mu\text{m} [\pm(.0003+.00005n+.00005 (L/2))"]^*$
- *n=Number of rod, L=Maximum measuring length (mm) [(inch)], Fraction rounded up

Metric		Extension rod type			
Range	Order No. Plain faces	Order No. Carbide-tipped faces	Graduation	Travel of micrometer head	Extension rods
50 - 63mm	137-011	137-013	0.01mm	13mm	—
50 - 150mm	137-201	137-206	0.01mm	13mm	13mm, 25mm, 50mm
50 - 300mm	137-202	137-207	0.01mm	13mm	13mm, 25mm, 50mm (2 pcs.), 100mm
50 - 500mm	137-203	137-208	0.01mm	13mm	13mm, 25mm, 50mm (2 pcs.), 100mm, 200mm
50 - 1000mm	137-204	137-209	0.01mm	13mm	13mm, 25mm, 50mm (2 pcs.), 100mm, 200mm (2 pcs.), 300mm
50 - 1500mm	137-205	137-210	0.01mm	13mm	13mm, 25mm, 50mm (2 pcs.), 100mm, 200mm (3pcs.), 300mm (2 pcs.)

Inch		Extension rod type			
Range	Order No. Plain faces	Order No. Carbide-tipped faces	Graduation	Travel of micrometer head	Extension rods
2" - 2.5"	137-012	137-014	.001"	.5"	—
2" - 6"	137-211	137-216	.001"	.5"	.5", 1", 2"
2" - 12"	137-212	137-217	.001"	.5"	.5", 1", 2" (2 pcs.), 4"
2" - 20"	137-213	137-218	.001"	.5"	.5", 1", 2" (2 pcs.), 4", 8"
2" - 40"	137-214	137-219	.001"	.5"	.5", 1", 2" (2 pcs.), 4", 8" (2 pcs.), 12"
2" - 60"	137-215	137-220	.001"	.5"	.5", 1", 2", 4" (2 pcs.), 6", 8" (3 pcs.), 12" (2 pcs.)