

Calipers

A standard measuring tool of industry

Long ABSOLUTE Digimatic Caliper 500 Series — with Exclusive ABSOLUTE Encoder Technology

- Long Digital caliper incorporating an ABSOLUTE scale and available with a measuring range from 450mm to 1000mm.
- Allows step measurement
- Allows integration into statistical process control and measurement systems for models with measurement data output connector. Refer to page A-3.
- For the details of the Absolute scale and its function, refer to page D-8.



Technical Data

Accuracy: $\pm 0.05\text{mm}$ ($\leq 600\text{mm}$), $\pm 0.07\text{mm}$ ($\leq 1000\text{mm}$)
(excluding quantizing error)
Resolution: 0.01mm or .0005"/0.01mm
Repeatability: 0.01mm
Display: LCD
Scale type: ABSOLUTE electrostatic capacity linear encoder
Max. response speed: Unlimited
Battery: SR44 (1 pc.), **938882**
Battery life: Approx. 3.5 years under normal use
Max. response speed: Unlimited

SPECIFICATIONS

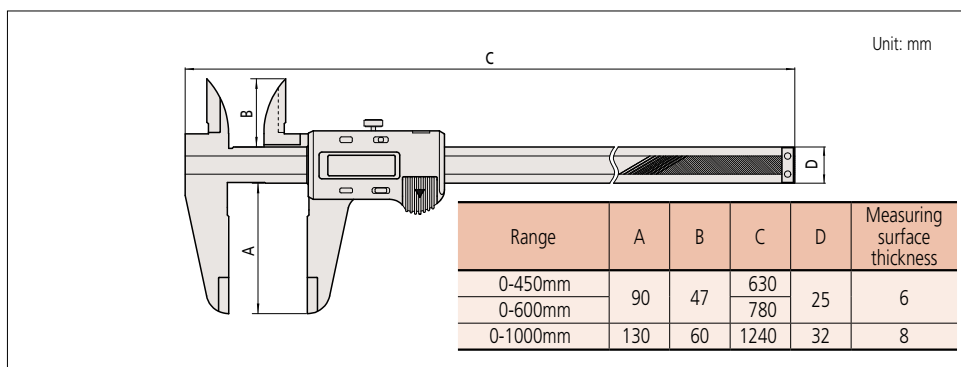
Metric				
Order No.	Range	Depth bar	Fine adjustment	Remarks
500-500-10	0 - 450mm	—	—	—
500-501-10	0 - 600mm			
500-502-10	0 - 1000mm			

* without SPC data output

Inch/Metric				
Order No.	Range	Depth bar	Fine adjustment	Remarks
500-505-10	0 - 18"	—	—	—
500-506-10	0 - 24"			
500-507-10	0 - 40"			

* without SPC data output

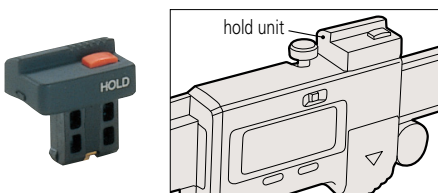
DIMENSIONS



Optional accessories

Dedicated for the models equipped with a digimatic output function. For details, refer to page A-15.

959143: Data hold unit



Connecting cables for IT/DP/MUX*

- 959149: SPC cable with data button (1m)
- 959150: SPC cable with data button (2m)



USB Input Tool Direct

- 06ADV380C: SPC cable for USB-ITN-C (2m)

Connecting cables for U-WAVE-T

- 02AZD790C: SPC cable for U-WAVE with data button (160mm)
- 02AZE140C: SPC cable for footswitch