

ABSOLUTE IDC

Standard .5"/12.7mm, 1"/25.4mm, 2"/50.8mm range models
Various designs for a wide range of applications



Peak Holding Type
543-260



Standard Type
543-250



Dust-proof Type
543-259



Signal Output Type
543-282



Designed for Bore Gage
543-264B

ABSOLUTE IDC

Peak Holding Type

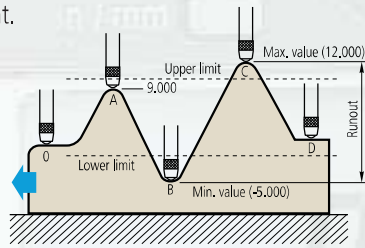
FEATURES

Tolerance judgment

- GO/±NG judgment is performed by setting the upper and lower tolerances for maximum, minimum and runout values.
- High-speed sampling ratio of 50 times per second.

Peak hold function

- The maximum, minimum, or runout value can be displayed during measurement.



| Spindle position | 0 | - | A | - | B | - | C | - | D |
|------------------|-------|---|-------|---|--------|---|--------|---|--------|
| Normal mode | 0.000 | ↗ | 5.000 | ↘ | -5.000 | ↗ | 10.000 | ↘ | 0.000 |
| Max. mode | 0.000 | ↗ | 5.000 | → | 5.000 | ↗ | 10.000 | → | 10.000 |
| Min. mode | 0.000 | → | 0.000 | ↘ | -5.000 | → | -5.000 | → | -5.000 |
| TIR mode | 0.000 | ↗ | 5.000 | ↗ | 10.000 | ↗ | 15.000 | → | 15.000 |

Technical Data

- Functions: Origin set (preset), Power on/off, Zero setting, Counting direction switching, GO/±NG judgment, max./min./runout value holding, inch/mm conversion (inch/mm type), SPC data output, Function lock

Note: Other specifications are the same as those of the standard type.

Specifications

| Order No. | Accuracy | Resolution | Range |
|------------|-----------|------------|----------------------------|
| Back w/lug | Flat-back | | |
| 543-260 | 543-260B | 0.003mm | 0.001mm 12.7mm |
| 543-261 | 543-261B | .00012" | .00005"/0.001mm .5"/12.7mm |
| 543-262* | 543-262B* | .00012" | |
| 543-263* | 543-263B* | .00012" | .0001"/0.001mm .5"/12.7mm |

*ANSVAGD type

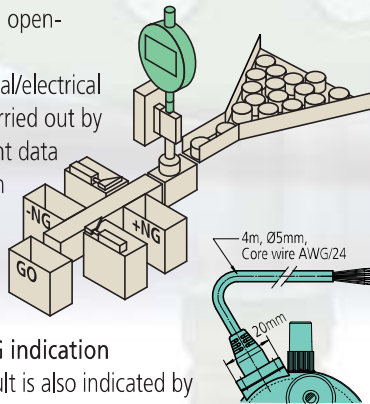
Signal Output Type

FEATURES

GO/±NG signal output

- With the max./min. value holding function, this indicator can output the signal of the GO/±NG judgment result against the peak values set to an external device like a sequencer through the NPN open-collector.

Substitute for the mechanical/electrical contact, the judgment is carried out by calculating the measurement data obtained. This provides high reliability with no deterioration of the contact point and volume adjustment.



Green/red LED for GO/±NG indication

- The GO/±NG judgment result is also indicated by the green/red LED and the "<,0,>" signs on LCD.

IP54 dust/water protection level

- This indicator achieves IP54 protection level to resist dust and contaminants for safe operation in harsh shop environments.

Technical Data

- Functions: Origin set (preset), Power on/off, Zero setting, Counting direction switching, GO/±NG judgment, max./min./runout value holding, inch/mm conversion (inch/mm type), Function lock

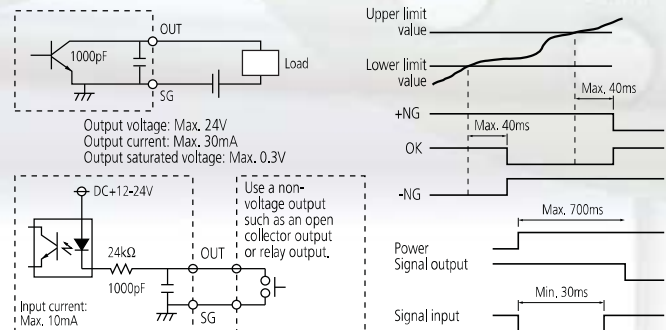
- Dust-water protection level: Conforms to IP54

Note: Other specifications are the same as those of the standard type.

Specifications

| Order No. | Accuracy | Resolution | Range |
|------------|-----------|------------|----------------------------|
| Back w/lug | Flat-back | | |
| 543-280 | 543-280B | 0.003mm | 0.001mm 12.7mm |
| 543-281 | 543-281B | .00012" | .00005"/0.001mm .5"/12.7mm |
| 543-282* | 543-282B* | .00012" | |
| 543-283* | 543-283B* | .00012" | .0005"/0.01mm .5"/12.7mm |

*ANSVAGD type



Signal output

| Wire color | Signal | I/O | Description |
|------------|-------------------------|-----|---|
| Black | -V (GND) | - | Connected to minus (-) terminal |
| Red | +V (plus power voltage) | I | Supply power voltage (12VDC - 24VDC) |
| Orange | -NG | O | Tolerance judgment result output terminals (NPN open-collector output): Only the terminal corresponding to a judgment result is set to the low level. (See the output circuit diagram.) |
| Green | OK | O | |
| Brown | +NG | O | |
| Yellow | PRESET_RECALL/ZERO | I | External input terminals (no-voltage input): If the relevant terminal is set to the low level, its signal becomes true. (See the input circuit diagram.) |
| Blue | HOLD_RESET | I | |
| Shield | FG (Frame Ground) | - | Connected to the ground. |

Designed for Bore Gage

FEATURES

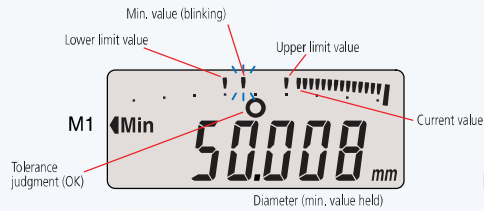
Exclusive design for bore gage use

- The minimum value holding function provides simple, accurate and stable ID measurement.
- Up to three sets of reference diameter and upper/lower tolerance values can be stored to simplify the start-up key operation in the repeatable hole inspection of mixed diameter sizes.
- An analog bar indication is integrated to enhance readability.

Technical Data

- Functions: Origin set (preset), Power on/off, Data hold, GO/±NG judgment, min. value holding, inch/mm conversion (inch/mm type), SPC data output, function lock

Note: Other specifications are same as those of the standard type.



Detecting a minimum point for diameter

Specifications

| Order No. | Accuracy | Resolution | Range |
|------------|-----------|-----------------|------------|
| Back w/lug | Flat-back | | |
| - 543-264B | 0.003mm | 0.001mm | 12.7mm |
| - 543-265B | .00012" | .00005"/0.001mm | .5"/12.7mm |

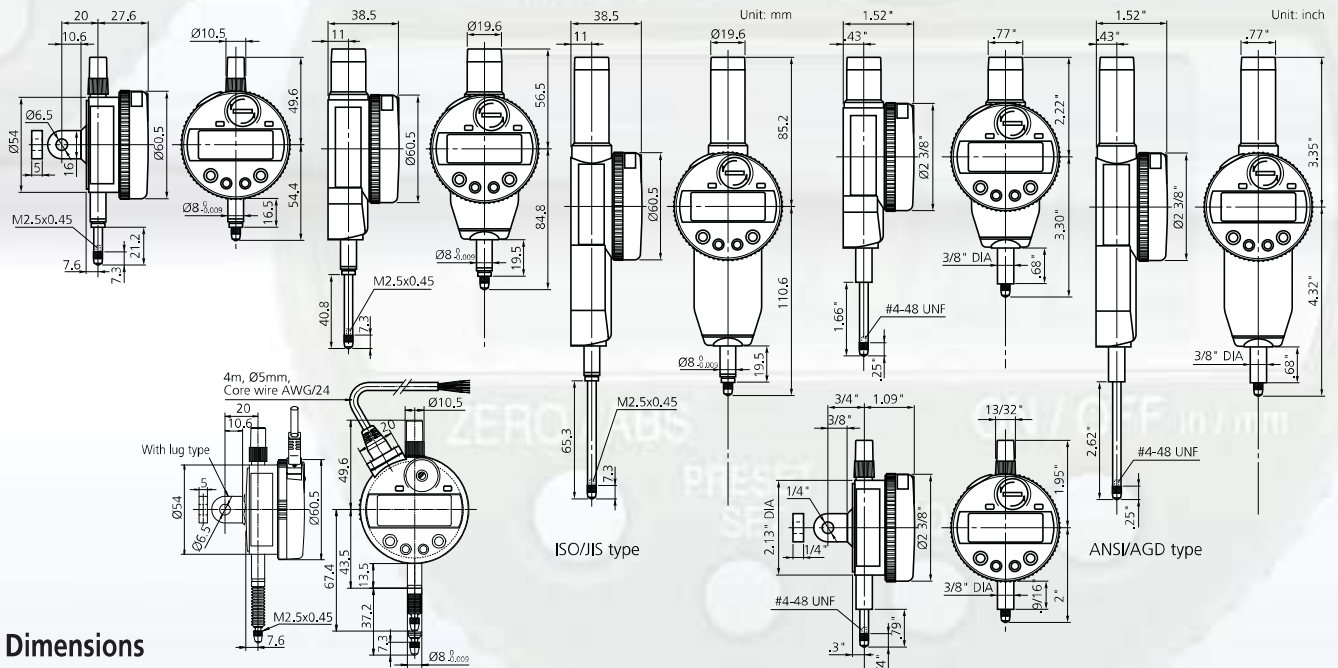
Optional bore gage

| Order No. | Range |
|-----------|---------------|
| 526-170 | 0.95 - 1.55mm |
| 526-160 | 1.5 - 4.0mm |
| 526-150 | 3.7 - 7.3mm |
| 526-101 | 7.0 - 10.0mm |
| 526-102 | 10 - 18mm |
| 511-126 | 18 - 35mm |
| 511-127 | 35 - 60mm |
| 511-132 | 50 - 150mm |

* Set No. with IDC 18-150mm:
511-905.7"-6"; 511-915

Specifications (ANSI/AGD type)

| Order No. | Accuracy | Resolution | Range |
|------------|-----------|-----------------|------------|
| Back w/lug | Flat-back | | |
| - 543-266B | 0.003mm | .00005"/0.001mm | 12.7mm |
| - 543-267B | .00012" | .0001"/0.001mm | .5"/12.7mm |



Dimensions