



Defender[®] 3000

Bench Scales



Designed with affordability in mind, but with no compromise on quality!

The OHAUS Defender 3000 Series economy line of bench scales is ideal for general weighing and simple counting applications in production, packaging, warehouse, inventory, shipping and receiving areas. The Defender 3000 Series feature a simple, yet rugged, tubular-frame base design and indicators with tactile keys, backlit LCD display, built-in rechargeable battery operation and flexible mounting capabilities. The Defender 3000 Series is the solution to your weighing applications that require dependability within an affordable budget.

Standard Features Include:

- Four capacities: 60lb/30kg, 150lb/60kg, 300lb/150kg, and 600lb/300kg (depending on unit of calibration)
- Displayed Resolution 1:6000-7500d
- 304 stainless steel pan with painted carbon steel frame and aluminum IP67 load cell
- Indicator features a high-impact durable ABS housing with reversible face for either wall, column or table-top mounting
- Adjustable non-slip rubber leveling feet with externally visible level indicator
- Multiple weighing units: lb, oz, lb:oz, kg, g (depending on model)
- Parts counting mode with selectable sample sizes, last sample size and Average Piece Weight data
- 1-in/25mm high LCD weight display with high-contrast backlight
- Built-in RS232 for printing and data connection
- AC adapter and internal rechargeable lead acid battery

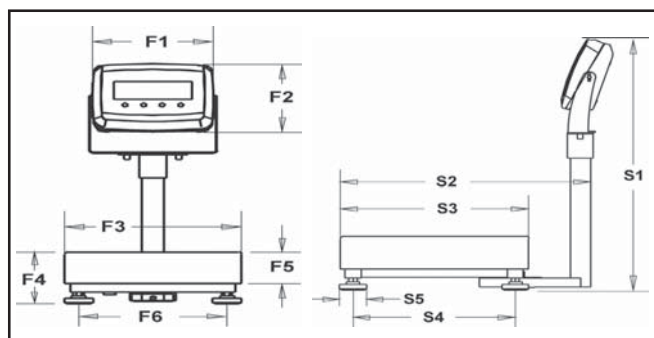
Defender[®] 3000 Bench Scales

Models	D31P30BR	D31P60BR	D31P60BL	D31P150BL	D31P150BX	D31P300BX
Capacity x Readability (d)	66 lb x 0.01 lb 1056 oz x 0.2 oz 66 lb x 0.2 oz (lb:oz) 30 kg x 0.005 kg 30,000 g x 5 g	132 lb x 0.02 lb 2,112 oz x 0.5 oz	132 lb x 0.02 lb 2,112 oz x 0.5 oz	330 lb x 0.05 lb 5,280 oz x 1 oz	330 lb x 0.05 lb 5,280 oz x 1 oz	660 lb x 0.1 lb 10,576 oz x 2 oz 660 lb x 2 oz (lb:oz) 300 kg x 0.05 kg 300,000 g x 50 g
Capacity x Readability (d) (Cal unit lb)	60 lb x 0.01 lb 960 oz x 0.2 oz 60 lb x 0.2 oz (lb:oz) 27 kg x 0.005 kg 27,000 g x 5 g	150 lb x 0.02 lb 2,400 oz x 0.5 oz	150 lb x 0.02 lb 2,400 oz x 0.5 oz	300 lb x 0.05 lb 4,800 oz x 1 oz 300 lb x 1 oz (lb:oz) 136 kg x 0.02 kg 136,000 g x 20 g	300 lb x 0.05 lb 4,800 oz x 1 oz 300 lb x 1 oz (lb:oz) 136 kg x 0.02 kg 136,000 g x 20 g	600 lb x 0.1 lb 9,600 oz x 2 oz 600 lb x 2 oz (lb:oz) 272 kg x 0.05 kg 272,000 g x 50 g
Displayed Resolution	1:6000	1:7500	1:7500	1:7500	1:7500	1:6000
Load Cell Protection	IP67					
Base Construction	304 stainless steel pan with painted carbon steel frame, non-slip rubber leveling feet					
Platform Dimensions (W x D x min H)	12 x 14 x 4.8 in / 305 x 355 x 123 mm		16.5 x 21.6 x 5.4 in / 420 x 550 x 136 mm		19.7 x 25.6 x 5.8 in / 500 x 650 x 147 mm	
Front View Dimensions (F1 x F2 x F3 x F4 x F5)	8.2 x 6.5 x 12 x 4.8 x 3 x 10 in 210 x 166 x 305 x 123 x 75 x 256 mm		8.2 x 6.5 x 16.5 x 5.4 x 3.2 x 14.6 in 210 x 166 x 420 x 136 x 80 x 371 mm		8.2 x 6.5 x 19.7 x 5.6 x 3.5 x 17.3 in 210 x 166 x 500 x 143 x 90 x 440 mm	
Side View Dimensions (S1 x S2 x S3 x S4 x S5)	22.5 x 18.6 x 14 x 12 x 2 in 572 x 472 x 355 x 306 x 52 mm		36.2 x 26.3 x 21.7 x 19.7 x 2 in 920 x 668 x 550 x 500 x 52 mm		36.2 x 29.1 x 25.6 x 23.2 x 2 in 920 x 740 x 650 x 590 x 52 mm	
Column	13.8 in / 350 mm fixed height, tubular painted steel		27.6 in / 700 mm fixed height, tubular painted steel			
Leveling Component	Externally visible level bubble and adjustable leveling feet with locking nuts					
Safe Overload Capacity	125% of rated capacity					
Indicator Construction	ABS plastic housing					
Weighing Units	lb, oz, lb:oz, kg, g					
Functions	Weighing, Parts Counting					
Weight Display	6-digit, 7-segment backlit LCD, 1 inch / 25 mm high digits					
Keyboard	4 function mechanical keys, raised, tactile					
Stabilization Time	Within 2 seconds					
Auto-zero Tracking	Off, 0.5, 1 or 3 divisions					
Key Zeroing Range	2% or 100% of capacity					
Span Calibration	5 lb/kg to 100% of capacity, user selectable					
Power	AC adapter with 100-hour internal rechargeable lead acid battery included					
Interface	Bi-directional RS232C					
Operating Temperature Range	14°F to 104°F / -10°C to 40°C, Maximum relative humidity 80 % for temperatures up to 88°F / 31°C, decreasing linearly to 50 % relative humidity at 104°F / 40°C, non condensing					
Net Weight	26 lb / 12 kg		42 lb / 19 kg		71 lb / 32 kg	
Shipping Weight	33 lb / 15 kg		51 lb / 23 kg		82 lb / 37 kg	
Shipping Dimensions	25.3 x 19.6 x 8.5 in / 642 x 497 x 212 mm		33.7 x 22.2 x 8.9 in / 857 x 564 x 225 mm		40.2 x 27 x 9.7 in / 1022 x 687 x 247 mm	

Features

ABS plastic housing with internal rib reinforcements, reversible front/rear cover, backlit LCD weight display, tactile mechanical keys, built-in bidirectional RS232C with manual/continuous/interval printing, hardware configuration lockout switch, internal lead-acid rechargeable battery and AC adapter. Software included for parts counting mode with selectable sample sizes, selectable span calibration points, averaging level, auto-zero tracking, battery saving auto-off, Geo Code geographical gravity calibration adjustment and software menu lockouts. Stainless steel pan with painted carbon steel tubular frame, non-slip rubber leveling feet with locking nuts, externally visible level bubble, aluminum IP67 load cell, down-stops for overload protection, hollow tubular painted steel columns.

Outline Dimensions



Accessories

Call OHAUS for information on printer and cable accessories

Compliance

- Safety and EMC: EN60950, EN61326, FCC Class A, CE (AC adapter), c_{UL}
- Quality: OHAUS quality management system registered to ISO 9001:2008

OHAUS CORPORATION

* 7 Campus Drive
Suite 310
Parsippany, NJ 07054 USA

Tel: 800.672.7722

973.377.9000

Fax: 973.944.7177

www.ohaus.com

With offices throughout
Europe, Asia, and
Latin America

*ISO 9001:2008

Registered Quality
Management System

