



Pioneer® Series

Analytical and Precision Balances



The Best Balance For Basic Weighing!

The OHAUS Pioneer Series of analytical and precision balances are designed for basic routine weighing in a variety of laboratory, industrial and education applications. Now with both internal and external calibration models and the right combination of performance and features, the OHAUS Pioneer offers uncomplicated performance for all your basic weighing needs.

Standard Features Include:

- **Easy to Clean Analytical Draftshield** — Pioneer's draftshield is designed with all glass panels, including three sliding doors. All panels are easy to remove and replace, and together with a stainless steel bottom, make it fast and easy to clean.
- **Bright Backlit Display** — The bright backlit LCD display is easy-to-view in any environment.
- **Selectable Environmental Settings** — Three filter modes and adjustable zero tracking adjust balance sensitivity to environmental disturbances, or application requirements.

Pioneer® Series Analytical and Precision Balances

Removable Doors Provide Convenient Access and Easy Cleaning

To address the ease of cleaning requirement often expressed by routine users, Pioneer's draftshield has been designed with easy to remove doors and panels. Disassembly takes just seconds and all components including the balance housing can be quickly wiped clean.



Periodic cleaning made easy helps avoid sample contamination and extends product life. In addition, a standard in-use cover provides added protection against accidental spillage and helps minimize the chance of damage to the display and keypad.

Should breakage occur, each replacement door or panel can be installed in seconds.



Backlit Display Bolsters Visibility

The bright backlit LCD display provides ample lighting, making the display very easy-to-view in laboratories with dim lighting.



Selectable Environmental Settings For Working in Practically Any Condition

To help adapt the balance to real life working conditions, Pioneer is designed with selectable environmental settings. When working in harsh environments, the balance can be adjusted to compensate for vibrations and other disturbances. Conversely, the balance can be adjusted for working in slow filling applications where sensitivity is a must.

Standard Features



Integral Security Bracket
Allows you to secure your balance to a workstation to prevent unwarranted movement or theft

RS232 Interface

Pioneer's RS232 allows connection to an Ohaus printer or a computer. Sends Balance ID plus spaces for recording User ID, Project ID, time and date

Integral Menu Lock

A combination of software and a mechanical switch locks menus, including calibration



Weigh-Below Hook

Pioneer's built-in weigh-below hook allows you to suspend an item below the balance to calculate density/specific gravity



Up-Front Level Indicator

A quick glance at the up-front level indicator helps to ensure that the balance is level prior to each use

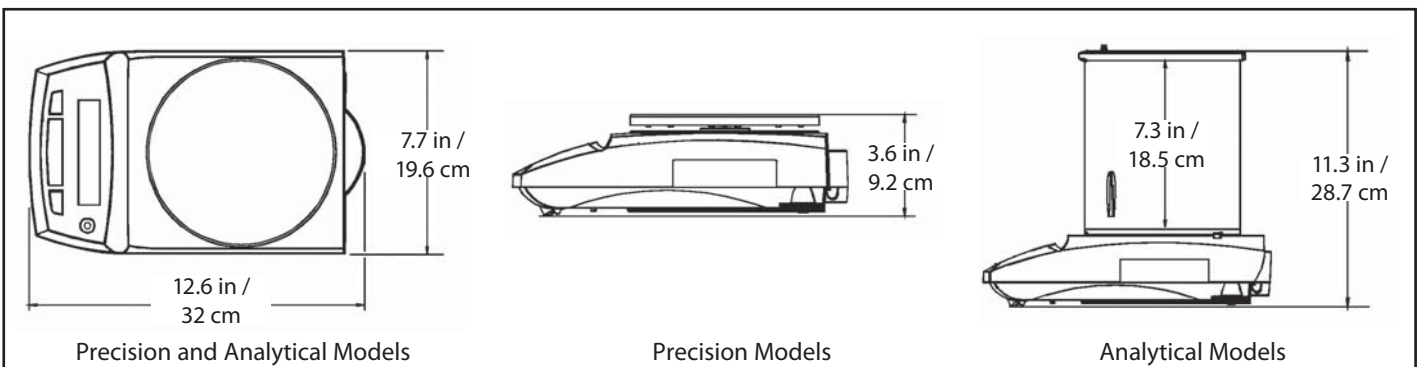
Multiple Application Modes and Units

Pioneer features basic weighing, parts counting and percent weighing, density weighing, and dynamic weighing and 15 international weighing units including one custom unit

Backlit Display

Enables optimal viewing of results in various lighting conditions

Outline Dimensions



Pioneer® Series Analytical and Precision Balances

Specifications

| Models with Internal Calibration | PA64C | PA114C | PA214C | PA213C | PA413C | PA512C | PA2102C | PA4102C | PA4101C |
|-------------------------------------|---|-------------|--------------|--------------|---|--------------|--|------------|--|
| Models without Internal Calibration | PA64 | PA114 | PA214 | PA213 | PA413 | PA512 | PA2102 | PA4102 | PA4101 |
| Capacity (g) | 65 | 110 | 210 | 210 | 410 | 510 | 2100 | 4100 | 4100 |
| Repeatability (Std Dev) mg | 0.1 | | 1 | | 10 | | | 100 | |
| Readability d (g) | 0.0001 | | 0.001 | | 0.01 | | | 0.1 | |
| Linearity (mg) | 0.2 | 0.3 | 2 | | 20 | | 30 | 100 | |
| Application Modes | Weighing, Parts Counting, Percent | | | | | | | | |
| Weighing Units | mg, g, ct, oz, dwt, tical, tola, mommes, baht, grain, mesghal, Newton, ozt, teals, custom | | | | g, lb, ct, oz, dwt, tical, tola, mommes, baht, grain, mesghal, Newton, ozt, teals, custom | | g, kg ct, lb, oz, dwt, tical, tola, mommes, baht, grain, mesghal, Newton, ozt, teals, custom | | g, kg ct, lb, oz, dwt, tical, tola, mommes, baht, grain, mesghal, Newton, ozt, teals, custom |
| Platform Size (mm) | 90 dia. | | | 120 dia. | | 180 dia. | | | |
| Cal Weight-Span (g) | 50g or 60g | 50g or 100g | 100g or 200g | 100g or 200g | 200g or 400g | 200g or 500g | 1kg or 2kg | 2kg or 4kg | 2kg or 4kg |
| Cal Weight-Linearity (g) | 20g + 50g | 50g + 100g | 100g + 200g | | 200g + 400g | 200g + 500g | 1kg + 2kg | 2kg + 4kg | |
| Taring Time | 1 Second | | | | | | | | |
| Stabilization Time | 3 Seconds | | | | | | | | |
| Gross Weight (kg) | 4.5kg | | | | 3.3kg | | | | |
| Shipping Weight (kg) | 6.9kg | | | | 5.4kg | | | | |
| Balance Dimensions W x H x D (cm) | 19.6 x 28.7 x 32cm | | | | 19.6 x 9.2 x 32cm | | | | |
| Carton Dimensions L x W x H (cm) | 49.5 x 39.5 x 52.2cm | | | | 49.5 x 39.5 x 32.7cm | | | | |
| Draftshield | Yes | | | | None | | | | |
| Operating Conditions | 10°C to 40°C at 10% to 80% relative humidity, non-condensing, up to 4000m above sea level | | | | | | | | |
| Storage Temp. | -40°C to 70°C at 10% to 80% relative humidity, non-condensing. | | | | | | | | |

Specifications

| Models with OIML Approval | PA64CM | PA114CM | PA214CM | PA213CM | PA413CM | PA512CM | PA2102CM | PA4102CM | PA4101CM |
|------------------------------------|---------------|---------|---------|---------|---------|---------|----------|----------|----------|
| Capacity (g) | 65 | 110 | 210 | 210 | 410 | 510 | 2100 | 4100 | 4100 |
| Application Modes | Weighing | | | | | | | | |
| Weighing Units | mg, kg, g, ct | | | | | | | | |
| Verification scale interval e (mg) | 1 | | 10 | | 100 | | | | |

Pioneer® Series Analytical and Precision Balances

| Excal Model | PA84 | PA124 | PA224 | PA163 | PA323 | PA523 | PA1602 | PA2202 | PA3202 | PA4202 | PA2201 | PA4201 |
|---------------------------------|--|---------|----------|--------------------------|-----------|----------|---|---------|---------|---------|---------|---------|
| Incal Model | PA84C | PA124C | PA224C | PA163C | PA323C | PA523C | PA1602C | PA2202C | PA3202C | PA4202C | PA2201C | PA4201C |
| Capacity (g) | 85 | 120 | 220 | 160 | 320 | 520 | 1600 | 2200 | 3200 | 4200 | 2200 | 4200 |
| Readability d | 0.1mg | | | 1mg | | | 10mg | | | | 100mg | |
| Repeatability (Std Dev) | 0.1mg | | | 1mg | | | 10mg | | | | 100mg | |
| Linearity | 0.2mg | | 0.3mg | 2mg | | | 20mg | | | | 100mg | |
| Application Modes | Weighing, Parts Counting, Percent Weighing, Animal/Dynamic Weighing, Density Determination | | | | | | | | | | | |
| Weighing Units | mg, g, ct, oz, dwt, tical, tola, mommes, baht, grain, mesghal, Newton, ozt, custom unit | | | | | | g, kg, lb, ct, oz, dwt, tical, tola, mommes, baht, grain, mesghal, Newton, ozt, custom unit | | | | | |
| Platform Size | 3.54 in / 9 cm diameter | | | 4.72 in / 12 cm diameter | | | 7.1 in / 18 cm diameter | | | | | |
| Cal Weight-Span | 50,80g | 50,100g | 100,200g | 100,150g | 200g,300g | 200,500g | 1,1.5kg | 1,2kg | 2,3kg | 2,4kg | 1,2kg | 2,4kg |
| Cal Weight-Linearity | 20/60 | 50/100g | 100/200g | 100/150g | 150/300g | 200/500g | 1/1.5kg | 1/2kg | 1.5/3kg | 2/4kg | 1/2kg | 2/kg |
| Taring Time | 1 second | | | | | | | | | | | |
| Stabilization Time | 3 seconds | | | | | | | | | | | |
| Draftshield | 7.3 in / 18.5 cm inside height | | | | | | N/A | | | | | |
| Operating Conditions | 50° F / 10° C to 104° F / 40° C at 10% to 80% relative humidity, non-condensing, up to 4000m above sea level | | | | | | | | | | | |
| Storage Temperature | -40° F / -40° C to 158° F / 70° C at 10% to 80% relative humidity, non-condensing | | | | | | | | | | | |
| Net Weight | 10.0 lb / 4.5 kg | | | | | | 7.3 lb / 3.3 kg | | | | | |
| Shipping Weight | 15.2 lb / 6.9 kg | | | | | | 11.8 lb / 5.4 kg | | | | | |
| Balance Dimensions W x H x D | 7.7 x 11.3 x 12.6 in / 19.6 x 28.7 x 32 cm | | | | | | 7.7 x 3.6 x 12.6 in / 19.6 x 9.2 x 32 cm | | | | | |
| Carton Dimensions L x W x H | 19.5 x 15.5 x 20.6 in / 49.5 x 39.5 x 52.2 cm | | | | | | 19.5 x 15.5 x 12.8 in / 49.5 x 39.5 x 32.7 cm | | | | | |

Other Standard Features and Equipment

Fixed integral weigh below hook, user selectable span calibration points, software rest menu, stability indicator, auto tare, user selectable communication setting, user selectable printing options, up-front level indicator, menu and calibration locks, mechanical and software overload/underload protection, integral weigh below hook, security bracket, stainless steel platform, backlit LCD

Compliance

- **Electromagnetic Compatibility:** FCC (Part 15 Class A); Industry Canada (ICES-003 Class A); CE (EN 61326-1:2006 Class B emissions, basic immunity); C-tick (AS/NZS 61000.6.3: 2007 Class B)
- **Product Safety:** cCSAus (CAN/CSA-C22.2 No. 61010-1-04, UL Std. No. 61010-1 2nd Edition); CE (EN 61010-1:2010)

Accessories

| | |
|---|----------|
| Dot Matrix Printer (SF40A) | 30064203 |
| Cable to connect SF40A to Pioneer | 12122603 |
| Paper for SF40A | 12120799 |
| Ink Ribbon for SF40A | 12120798 |
| Thermal Printer | 80251992 |
| Paper for Thermal Printer | 80251931 |
| Cable kit to connect Thermal Printer to Pioneer | 80252581 |
| TAL Software WinWedge | 80850080 |
| RS232 Cable, PC 9 Pin to Pioneer | 80500525 |
| RS232 Cable, PC 25 Pin to Pioneer | 80500524 |
| Auxiliary Display Kit for Pioneer | 80251396 |
| Security Device for Pioneer | 80850000 |
| Density Determination Kit for Pioneer (0.1mg and 1mg) | 80253384 |

Industry Leading Quality and Support

All OHAUS Pioneer balances are manufactured under an ISO 9001:2008 Registered Quality Management System. Our rugged construction and stringent quality control have been hallmarks of all OHAUS products for over a century.

OHAUS CORPORATION
 * 7 Campus Drive
 Suite 310
 Parsippany, NJ 07054 USA
 Tel: 800.672.7722
 973.377.9000
 Fax: 973.944.7177

www.ohaus.com

*With offices throughout
 Europe, Asia, and
 Latin America*

***ISO 9001:2008**
 Registered Quality
 Management System

