

Compact design

O-LIGHT Series

Since both O-LIGHT used inverter-type electronic ballast, their lights filter a little.

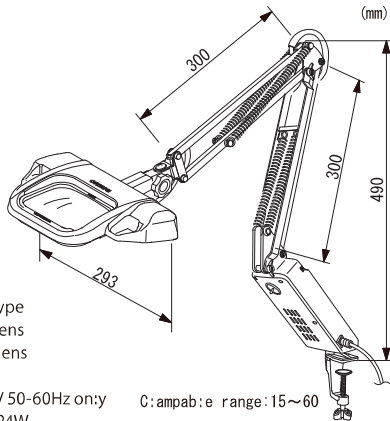
O-LIGHT III

RECTA SYSTEM Interchangeable Lens

- 2X
- 3.5X
- 2X AR
- 3.5X AR

Rectangular wide lens

The rims of the wide rectangular lenses are cut off because they might cause distortion. So the user can look through them clearly. RECTA-SYSTEM is suitable for only O-Light III. We supply four types of lens magnification, which are 2X, 3.5X, 2XAR and 3.5XAR



- Free arm and clamp type
- Lens: 2X rectangular lens and 3.5X rectangular lens
- Lamp: FPL27AX
- Input voltage: AC100V 50-60Hz only
- Power consumption: 24W
- Lighting method: electric ballast
- Weight: (O-LIGHT III 2X) 2.7kg (O-LIGHT III 3.5X) 2.8kg

Clampable range: 15~60



O-LIGHT F

Interchangeable Lens

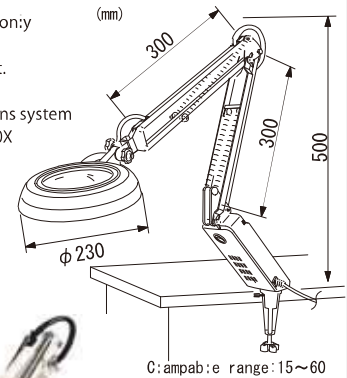
- 2X (φ130)
- 3X (φ130)
- 4X (φ130)
- 6X (φ130)
- 8X (φ130)
- 10X (φ130)

Interchangeable lens system

The lenses of all models are optical round lenses, which are interchangeable easily (interchangeable lens system).

We supply eight types of lens magnification, which are 2X, 3X, 4X, 6X, 8X, and 10X. (Round Series interchangeable lens system)

- Free arm and clamp type
- Lamp: FCL20N / 18
- Input voltage: AC100V 50-60 Hz only
- Power consumption: 23W
- Lighting method: electric ballast
- Lens: Round series interchangeable lens system
- Magnification: 2X, 3X, 4X, 6X, 8X, 10X
- Power consumption: 23W
- Weight: 2.0kg



Clampable range: 15~60



RECTA-SYSTEM

LENS

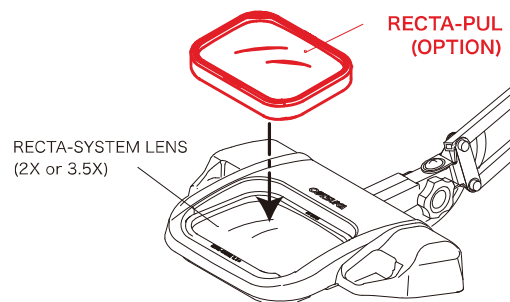


A rectangular interchangeable lens system requested by many customer is employed!

Type of lens: 2X, 2XAR, 3.5X, 3.5XAR, RECTA-PUL

RECTA-PUL

POWER UP LENS



- RECTA-SYSTEM 2X + RECTA-PUL = 4X
- RECTA-SYSTEM 3.5X + RECTA-PUL = 5X