

Standard

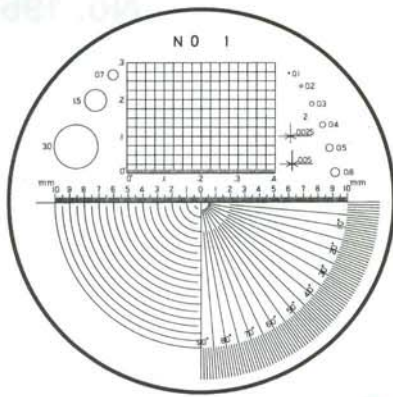
## PEAK SCALE LUPE 15X

The Peak Scale Lupe 15X is a wide-field magnifying glass of magnifying power 15X combined with a graduated scale glass selectable from among four different kinds. By observing through the magnifier with the appropriate scale resting on the object to be examined, one can measure very easily, rapidly and exactly the length, the angle between two straight lines, the radius of curvature of a circular arc etc. of the object.

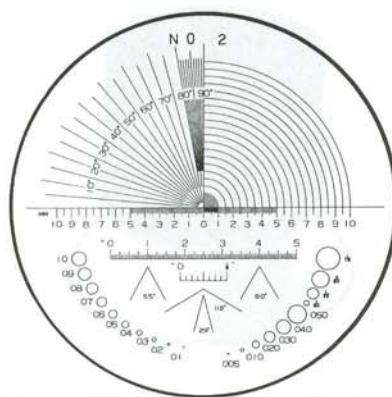
The present instrument is a sequel of the Peak Scale Lupe series hitherto produced of magnifying powers 7X and 10X. However, to enable the sharp observation of the entire field of a 14 mm diameter object magnified as large as 15 times, the magnifier has been newly designed to correct almost perfectly the curvature of field and the lateral chromatic aberration by a combination of four lenses, three grouped as shown in the cross section diagram, and two of the lenses being made of a new type of optical glass. Moreover, all six air-to-glass interfaces of the magnifier are multi-coated to reduce internal reflection.

In using the instrument, adjust the distance between the scale glass and the magnifier by rotating the rugged ring of the latter so that the user can observe sharply the magnified image of the scale. Re-adjustment is unnecessary unless the user is changed.

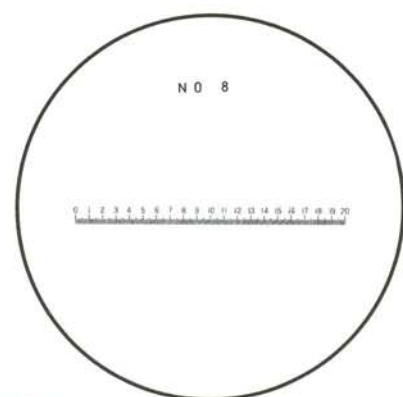
By turning the rugged ring to the left until it stops, and then turning with a little more force, the magnifier can be removed from the transparent pipe holding the scale glass and be used as an independent magnifier of magnifying power 15X.



No. 1



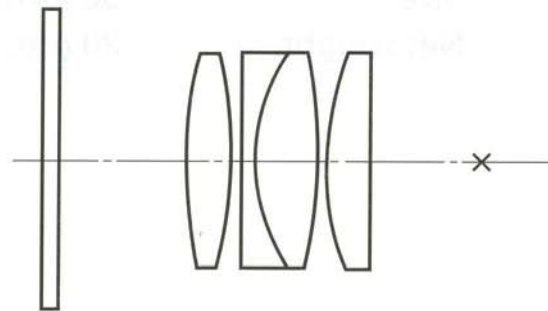
No. 2



No. 8



No. 2016-L



## PEAK LIGHT SCALE LUPE 15X

Insufficient supply of light has been improved by attaching to the Peak Scale Lupe 15X an illuminating device consisting of the penlight and the holder.

Observations can be achieved more easily than ever.

Item No.	Magnification	Field of view	Effective aperture	Size	Net weight
No. 2016	15X	20 mm $\phi$	13 mm $\phi$	35 $\phi$ $\times$ 33 mm	40 gm.
No. 2016-L	15X	20 mm $\phi$	13 mm $\phi$	43 $\phi$ $\times$ 65 $\times$ 184 mm	72 gm.