

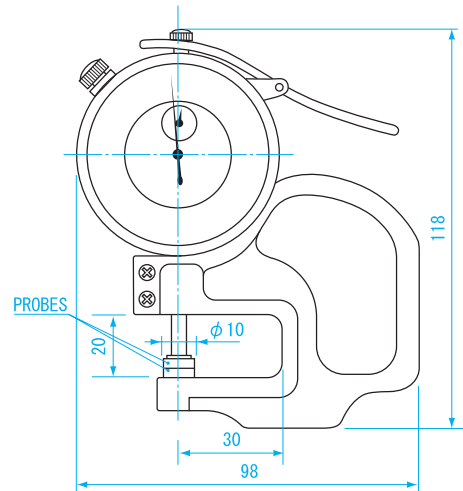


Example of mounting DSB-3010S



## DIMENSIONS

Units : mm



- USE**
  - One touch thickness measurement of sheet material
- MATERIAL**
  - Body : Steel
  - Probes : Ceramic
- FEATURES**
  - Easy to operate for quick measurements
  - Shock proof spindle mechanism protects the gear from abrupt motion
  - Dedicated base DSB-3010S sold separately (for DS-3010S only)

Order No.	Model No.	Graduation (mm)	Measurement Range (mm)	Insertion Depth (mm)	Accuracy (μm)	Measuring Faces	Weight
151680	DS-3010S	0.01	0~10	30	±20	φ10mm Flat	200g

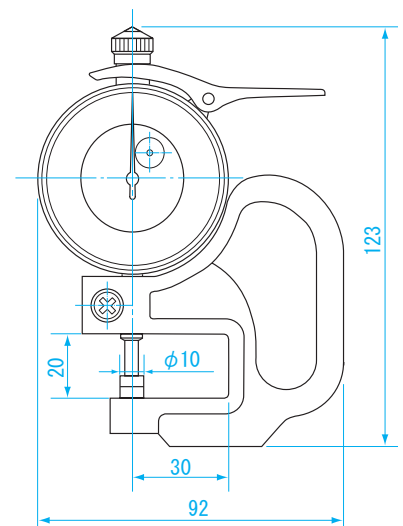
Dial thickness gauge dedicated base

Order No.	Model No.	Weight
151685	DSB-3010S	370g



## DIMENSIONS

Units : mm



- USE**
  - One touch thickness measurement of sheet metal
- MATERIAL**
  - Body : Steel
  - Probes : Steel
- FEATURES**
  - Easy to operate for a quick measurement

Order No.	Model No.	Graduation (mm)	Measurement Range (mm)	Insertion Depth (mm)	Accuracy (μm)	Measuring Faces (mm)	Weight
151532	DS-1211	0.01	0~10	30	±20	φ10mm Flat	260g