

# General Specifications

## T-101 Tension Meter

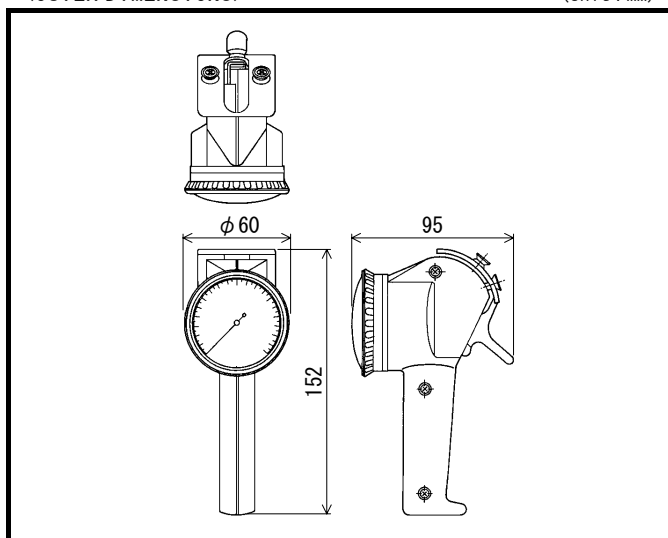
The Model T-101 Tension Meters serves to measure the tension of lines during testing mainly thickness in silk reeling, thread diameter and thread.

### <MODEL & CODES>

CODE	ITEM
T-101-□□-□□	Tension Meter
0 2 - 0 0	Measurement Range : 0N~0.2N Minimum Graduation : 0.005N
0 5 - 0 0	Measurement Range : 0N~0.5N Minimum Graduation : 0.01N
1 0 - 0 0	Measurement Range : 0N~1N Minimum Graduation : 0.02N
2 0 - 0 0	Measurement Range : 0N~2N Minimum Graduation : 0.05N
3 0 - 0 0	Measurement Range : 0N~3N Minimum Graduation : 0.1N
5 0 - 0 0	Measurement Range : 0N~5N Minimum Graduation : 0.1N
0 2 - 1 0	Measurement Range : 0g~20g Minimum Graduation : 0.5g
0 5 - 1 0	Measurement Range : 0g~50g Minimum Graduation : 1.0g
1 0 - 1 0	Measurement Range : 0~100g Minimum Graduation : 2.0g
2 0 - 1 0	Measurement Range : 0g~200g Minimum Graduation : 5.0g
3 0 - 1 0	Measurement Range : 0g~300g Minimum Graduation : 10.0g
5 0 - 1 0	Measurement Range : 0g~500g Minimum Graduation : 10.0g

### <OUTER DIMENSIONS>

(Unit : mm)



### <SPECIFICATIONS>

System : Spring  
 Measurement Range : □□-00 ; 0N~0.2N, 0N~0.5N, 0N~1N, 0N~2N, 0N~3N or 0N~5N  
 □□-10 ; 0g~20g, 0g~50g, 0g~100g, 0g~200g, 0g~300g or 0g~500g  
 (Refer the table <Model and Code>)  
 Minimum Graduation : □□-00 ; 0.005N, 0.01N, 0.02N, 0.05N or 0.1N  
 □□-10 ; 0.5g, 1.0g, 2.0g, 5.0g or 10.0g  
 (Refer the table <Model and Code>)  
 Accuracy : Within  $\pm 1$  graduation  
 (In the case of the thread during running, our investigation inspection thread)  
 Material : ABS resin  
 Coating Color : Black (Grinding)  
 Outer Dimensions : Approx. 60mm (W)  $\times$  152mm (H)  $\times$  95mm (D)  
 Mass : Approx. 0.35kg

### <ACCESSORIES>

ITEM	QUANTITY	PART NUMBER
Instruction Manual	1 copy	-----