

# Differential Pressure Transducer

## VFT-510 series

Output : 4-20mA / 0-5V , 0-10VDC  
RS-485 Modbus

- IP65
- CE
- RoHS

- Output : 4~20mA / 0~5V / 0~10V / RS-485
- $\pm 0.25\%$  F.S High accurate, pressure up to 300psi
- Fine ZERO & SPAN adjustments and Zero setting
- Measurement range selectable
- Auto. Temperature Compensation
- Multi-function digital LCD display
- Relative & Differential Pressure and wind velocity measurement
- Pa, mbar and mmH<sub>2</sub>O unit of measurement optional
- Ceramic sensor, excellent durability
- Converes piezoelectric protection
- IP65 、 CE and RoHS approved

### Applications

Space/Duct static pressure, Clean room, Hospital, Compression cooling systems, Air filter monitoring, Pumps, Fan control, Pneumatic controls, Duct airflow, Differential pressure monitoring, HVAC...etc.

**VFT-512** Low Differential Pressure Transducer

**VFT-513** High Differential Pressure Transducer

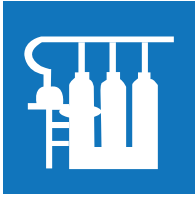


### Specifications of VFT-510 series

Please advise the specification of \* option based on your individual needs.

Model No.		VFT-512	VFT-513
Measuring Range	Differential Pressure	$\pm 7000\text{Pa}$ / $\pm 700\text{mmH}_2\text{O}$ / $\pm 70\text{mbar}$	$\pm 99000\text{Pa}$ / $9900\text{mmH}_2\text{O}$ / $1000\text{mbar}$
	Wind Speed	0~100m/s (via Pitot tube)	0~210m/s (via Pitot tube)
Resolution	Differential Pressure	1Pa / 0.1mmH <sub>2</sub> O / 0.01mbar	10Pa / 1mmH <sub>2</sub> O / 0.1mbar
	Wind Speed	0.1m/s	1m/s
Accuracy (at 25°C)		$\pm 0.25\%$ F.S 、TEB<1% ※TEB : Total Error Band	
Measurement Unit		Differential Pressure : Pa 、 mbar 、 mmH <sub>2</sub> O switchable Wind Speed : m/s Temperature : °C 、 °F switchable	
Media Compatibility		Dry air or non-corrosive gases and liquids	
Display and Functions		LCD display (4-digital), The functions can be displayed : Relative pressure. Differential Pressure 、 Wind Speed 、 Temp. 、 Max. 、 Min. 、 Averages 、 Measurement Unit	
Sampling Rate		Approx. 0.5 sec.	
Output Signal*		Analog Output : 4 ~ 20mA 、 0 ~ 5V 、 0 ~ 10Vdc ※The initial setting range is $\pm 7000$ Pa. Digital Output : RS-485 / Modbus RTU protocol (Wind Pressure 、 Temp. simultaneously)	
Auto temp. compensation		0 ~ +60°C (+32°F ~ +140°F)	
Measurement range setting		The user can set the measuring range by setting botton ※The Initial is $\pm 7000$ Pa for the type VFT-512 / $\pm 99000$ Pa for the type VFT-513	
Calibration		Zero & Span adjustments and Zero setting	
Baud Rate		9600	
Over Pressure		2 times FSP	2,000Kpa (300psi)
Operating Environment		0 ~ +55°C (+32 ~ +131°F), 0~95%RH non-condensing	
Storage Environment		-20 ~ +60°C (-4 ~ +140°F), 0~95%RH non-condensing	
Power Supply		DC 9~32V, $\geq 150\text{mA}$ (Max. DC36V)	
Dimensions		110(L) × 80(W) × 48(D)mm (4.33 × 3.15 × 1.89 inches) ; Not including the pressure hose connector & cable gland	
Weight		Approx. 215g	
Approvals		RoHS, CE, IP65	

※ Specifications are subject to change without notice.



# Differential Pressure Transducer

## VFT-510 series

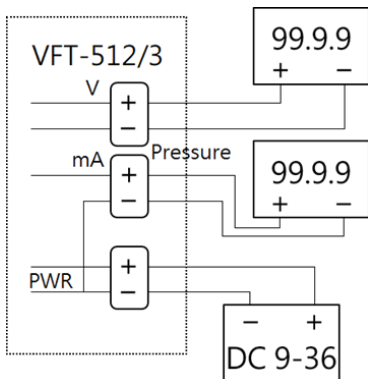
### Option Accessories



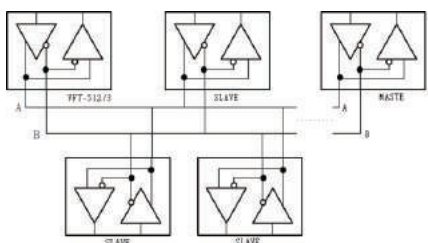
- ① **VFT-512** Low Differential Pressure Transducer
- ② **VFT-513** High Differential Pressure Transducer
- ③ **VF-P0808** Pitot Tube ※ Specifications can be customized.
- ④ **VF-S0552** Silicon Tube (1Meter for standard equipment) ※ The length can be specified.

### Connecting Diagram

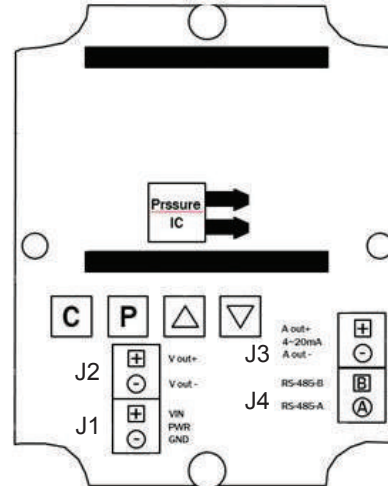
A、DC Voltage (0-5V, 0-10V) output / DC 4-20mA output



B、RS-485 output



### Instrument Description & Wiring



- J1 Power Supply : 12 ~ 30VDC ( ≥ 150mA )
- J2 DC Voltage Output : 0 ~ 5V、0 ~ 10V (Selectable)
- J3 DC Current Output : 4 ~ 20mA
- J4 Digital Output : RS-485 / Modbus
- [C] : Confirm (OK) and °C / °F Selection
- [P] : Pressure Unit Selection Button
- [▲] : Up Key, Multiple, Fine tune, Zero Button
- [▼] : Down Key, Multiple, Fine tune, Zero Button

### External Dimensions(mm)

