

OLED illuminated magnifier

# OLIGHT6

OLED

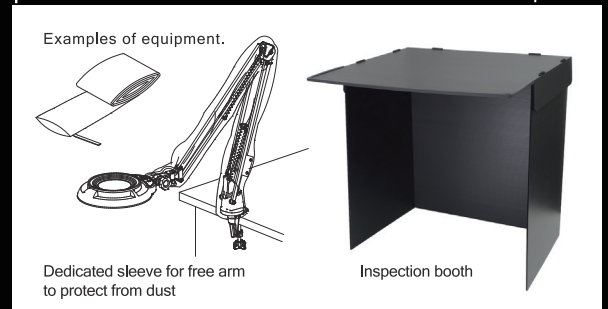
AR<sup>Coat</sup>  
standard

series

The OLED lighting magnifier, which is said to be the next generation of lighting, has made its debut.



Options are also available for the series. Refer to p34-35.



## BIG-RECTA-LENS

2XAR

4XAR

358AR

Select the lens magnification and combine it with the main unit.

Example: **OLIGHT6-F 2XAR**  
Series name    Type name    Magnification

We also sell only the main body without a lens.

- Lens Dimensions (mm) : 180×120
- AR-coated lens Line Up : standard feature
- Dimming function : 100% - 10%
- Input voltage range : AC100 - 240V\* · 50/60Hz  
(\* When using at a voltage of 125V or higher, it can be handled by changing or purchasing a power cable separately.)
- AC Adapter Dimensions (mm) : 99×47×32
- Power Cord length (mm) : 1800 (AC side) 1200 (DC side)

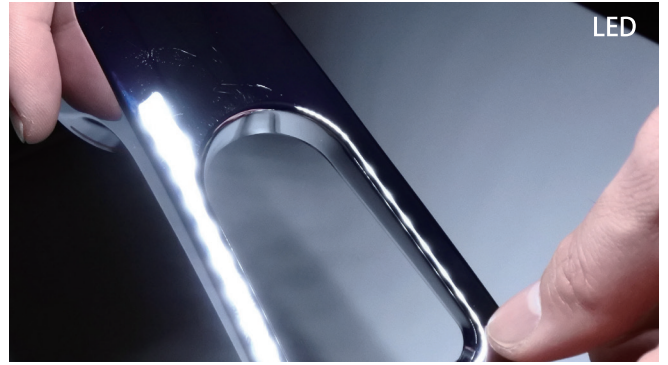
The light source portion of the image is a composite image of the range of motion.

# OLIGHT6 Series features.

The following table shows the differences between OLIGHT6 series OLED lighting and general LED lighting.



OLED



LED

## ■ surface emission

OLED lighting is a surface light source that emits light evenly. Therefore, glare is reduced and shadows are less likely to form, making the lighting easy to see.

## ■ low reflection

Surface light source OLED lighting delivers a widely diffused light to the workpiece. Therefore, the intensity of reflection is reduced and eye fatigue become less. Also, since it is less likely to cause glare, it is easier to see what is at hand, contributing to improved work efficiency.

## ■ low blue light

OLED lighting has suppressed wavelengths in the blue light range. This lighting is less likely to affect biological rhythms even when working at night.

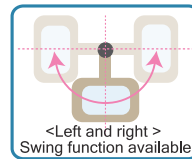
Information provided in Kaneka

## Lineup



**OLIGHT6-B**  
With table stand

Product Dimension(WxHxD):188x391x320mm  
Weight:2.2kg(Excluding lens)



**OLIGHT6-F**  
Free arm and clamp type

Product Dimension(Arm length): 856mm  
Weight: 2.2kg (Excluding lens)

New " BIG-Recta 358AR" with lens magnification of 3X, 5X and 8X is now available!

Photo of the BIG-RECTA 358AR installed.



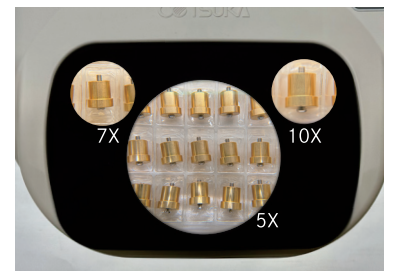
The BIG-RECTA 358AR is equipped with three different magnification lenses (3X, 5X, and 8X) in a single unit. By attaching this lens to a magnifier, visual inspection using multiple magnifications can be performed with a single unit, thereby improving work efficiency. Also, by attaching this lens to a conventional BIG-RECTA 2XAR, it is possible to increase the magnification to 5X, 7X, or 10X.

Sample images of how the BIG-RECTA 358AR looks.

OLIGHT5-B 358AR



OLIGHT5-B 2XAR + BIG-RECTA358AR



The image is a composite of the respective lenses.  
Visibility depends on viewing distance and individual differences.

# OLIGHT6